
Mobile universal operating table
ALPHAMAXX 1133.22

MAQUET
GETINGE GROUP



Living up to all requirements

The multifunctional ALPHAMAXX operating table



Developments made in conjunction with doctors: this is one of the basic principles which has made Maquet the world market leader for operating tables. Close cooperation and many years of experience have resulted in tried and tested products which facilitate the work in the operating room and help to increase the safety and comfort of the patient.

Best example: the ALPHAMAXX. This table can withstand even extreme loads in any position. The modular structure enables it to be adapted to match the size of the patient and in no time at all it can be equipped for any surgical discipline. A longitudinal shift of up to 460 mm (18") makes the ALPHAMAXX even more versatile.

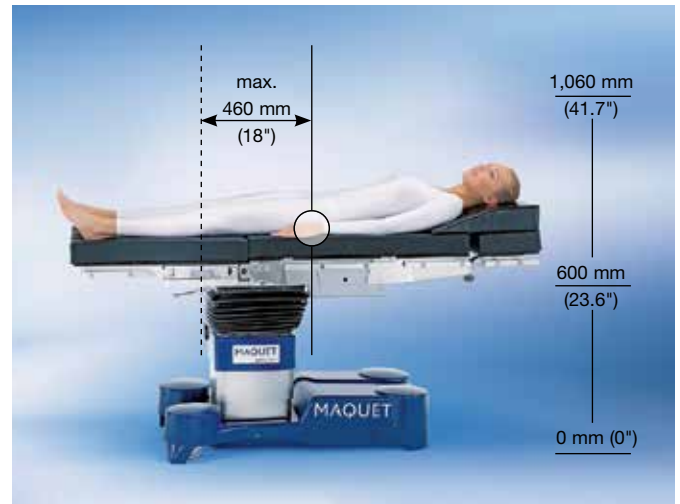
Maquet | The Gold Standard

An operating table in **a class of its own**

Extremely durable and just as versatile

Motorized longitudinal shift and height adjustment

The longitudinal shift of up to 460 mm (18") enables optimum access with the C-arm without needing to reposition the patient or to reverse the positioning of the patient. Each selected fluoroscopy point may easily be moved in front of or behind the column and with a height adjustment from 600 to 1,060 mm (23.6 to 41.7") comfortable access to the patient is insured – from initiation to surgery.



Extreme load capacity

The need for operating tables with higher load capacity is increasing worldwide. With a maximum overall load of up to 450 kg (992 lbs) the Maquet ALPHAMAXX offers highest levels of safety and stability.



Autodrive

The electric autodrive in the base has a gentle start-up function that ensures easy and safe movement of the ALPHAMAXX on four hydraulic double swivel castors. The pressure place on the floor covering is reduced. The latest development of Maquet, SENSOR DRIVE, is a wireless control for the autodrive of the ALPHAMAXX. It uses an infrared technology enabling easy maneuvering of the OR table and a speed regulation feature.



Adaptable accessories – Unlimited modularity combined with safety prevention

Adaptable: the modular structure of the table top forms the basis for the versatile adaptation options for specific surgical disciplines and patient statures. The mounting points at the

head and foot end have an Easy Click lock and simplify the quick replacement of socket-mounted modules without the use of time-consuming screw connections.



Identical mounting point geometry provides more flexibility when it comes to patient positioning. Leg and back plates may easily be exchanged to enable reverse positioning.

Various modules can be exchanged easily and safely in no time at all.

Maximum overall load up to 450 kg (992 lbs)

Easy Click for simple and quick module changes

Motorized longitudinal shift for optimal access of the C-arm



Safety-oriented functionality: the electrohydraulically driven leg plates may be adjusted individually or synchronously. An automatic component recognition in the leg plate mounting

point increases the safety of use. Depending on the table top position, the electronics monitor the adjustment areas in order to prevent collision.



Increased safety due to "passive lock" and "active unlock" functions.



The leg plates are adjusted electrohydraulically – individually or synchronously, as required.

Lower back plate with gynecological cutout for reverse positioning of the patient in lithotomy position

Expanded modularity: additional mounting point for extension modules

Modular design for ideal adaptation to a wide variety of surgical tasks

SFC padding (80 mm/3") with multi-layer design for good decubitus prophylaxis



Optimized patient transport

Safe and mobile even with high loads

Autodrive

Trendsetting: even under high load conditions, an ALPHAMAXX can still easily be moved to any desired position. Four hydraulically actuated double swivel castors raise the operating table gently. An optional electric autodrive with gentle start-up function ensures additional comfort and convenience.



Safe three-point base – even in the event of uneven floors

SENSOR DRIVE

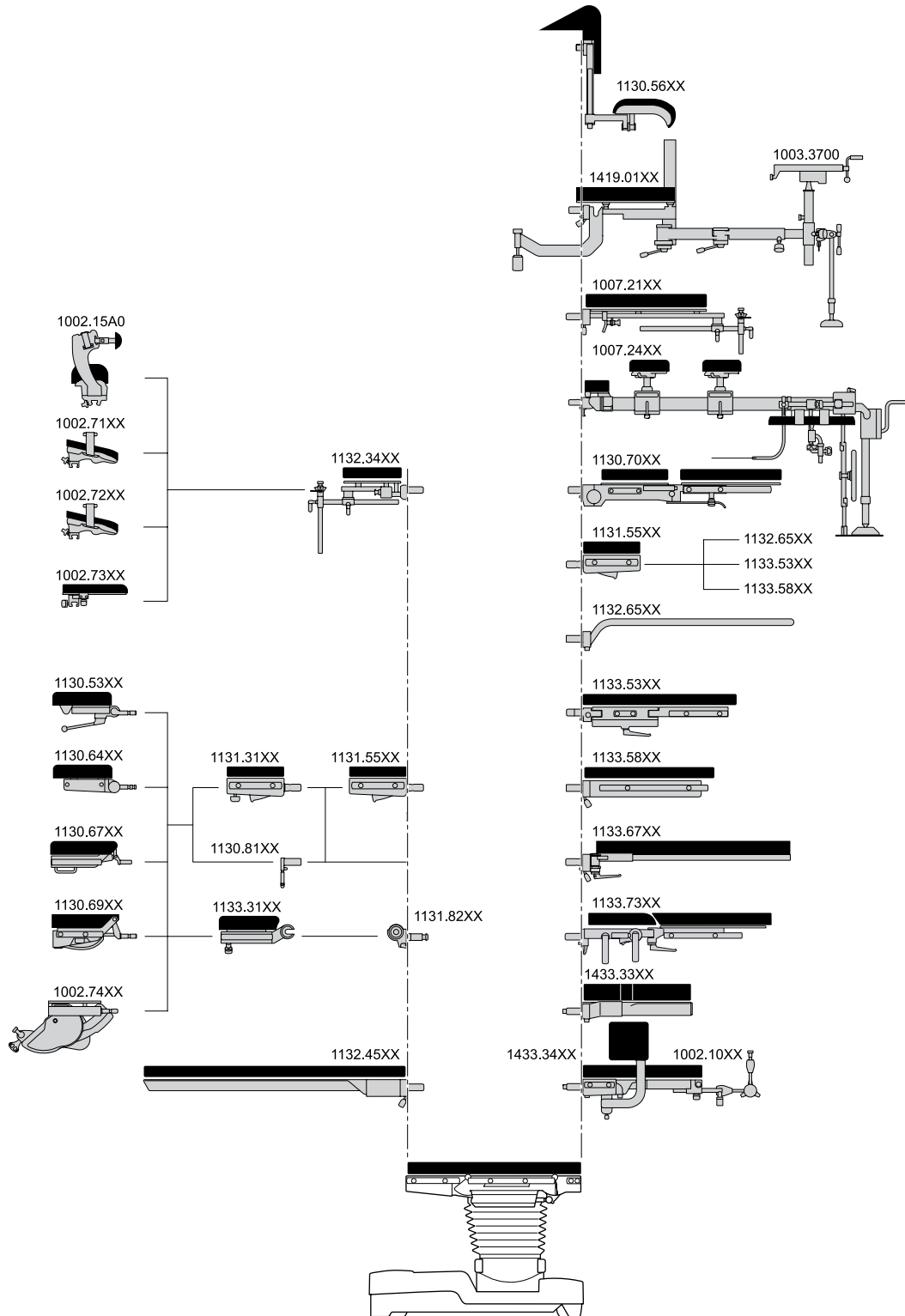
Effortless OR table maneuvering: the SENSOR DRIVE is a wireless control for the autodrive of the ALPHAMAXX using infrared technology. It enables easy maneuvering of the OR table and patient. The SENSOR DRIVE regulates precisely the speed as well as forward or reverse drive.

The handle is mounted to the OR table side rail, generally on the head rest. For operating, only one hand is needed, this enables the OR team and nursing staff to drive and steer at the same time.



ALPHAMAXX 1133.22

Accessory overview



Reverse mode

Flexible patient positioning

Versatile: the examples show the different options that normal and reverse positioning offer to the various surgical disciplines. The lower back plate has a gynecological cutout for reverse positioning of the patient in lithotomy position. There is no longer a need for an additionally mounted seat plate

extension. The C-arm can easily be used in urological surgery. Using the Universal Frame with a long positioning plate (adapted to the leg plate mounting point, with reverse positioning) permits, e.g. extremely free positioning for intraoperative fluoroscopy and excellent access for the surgical team.

Normal mode:



Maximized radiolucency and optimal surgical access is granted through the addition of the seat plate extension.

Reverse mode:



Lower back plate with gynecological cutout for urological surgery without seat plate extension.



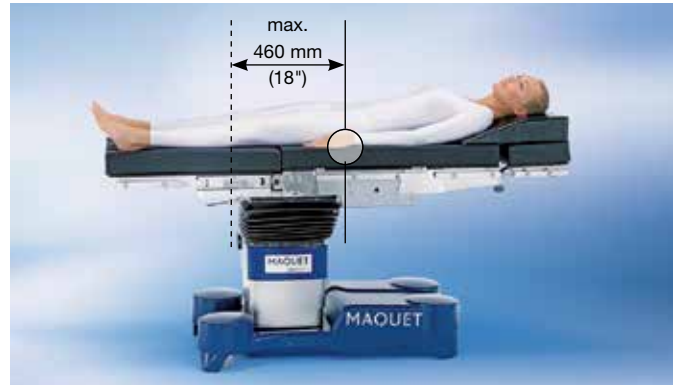
The use of carbon fiber modules ensure unrestricted 360° use of the C-arm without having to readjust the patient in both normal and reverse mode.

Unrestricted C-arm access

Superior radiolucency



A motorized longitudinal shift of up to 460 mm (18")



Extension device for orthopedic and traumatological treatment of e.g. femur, hip and tibia.



Versatile cushioning technology allows maximized patient comfort and radiotranslucency.



The Universal Frame with carbon fiber bars permits unrestricted C-arm access for 360° fluoroscopy.

Technical specifications and construction features

Adjustment options using corded hand control, IR remote control

Height without padding 600 – 1,060 mm (23.6 – 42.7")

Trendelenburg +30° / -30°

Lateral tilt 20°

Lower back plate +80° / -40°

Leg plates (adjustable individually or synchronously) +80° / -90°

Longitudinal shift 460 mm (18")

Flex/Reflex/Beach Chair

0-position (horizontal position of operating table top)

Foot locking ("Lock"/"Unlock")

Technical information

Max. overall load 450 kg (992 lbs)

Operating table weight 320 kg (703 lbs)

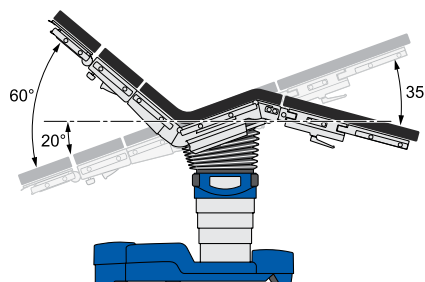
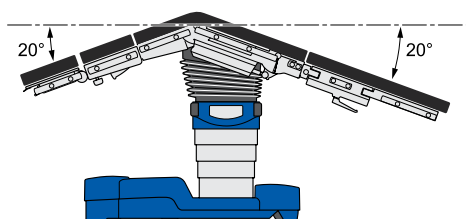
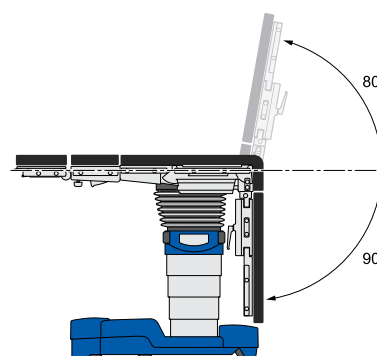
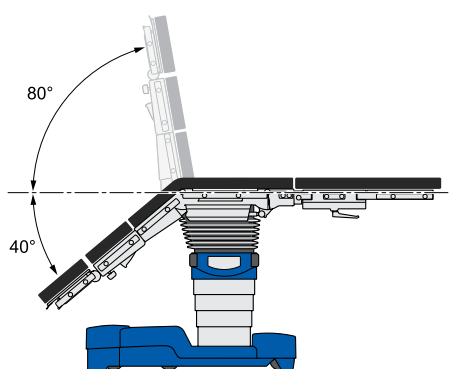
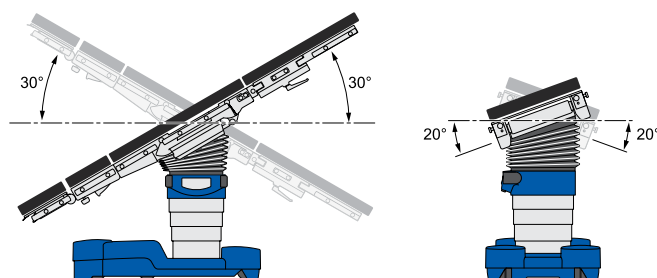
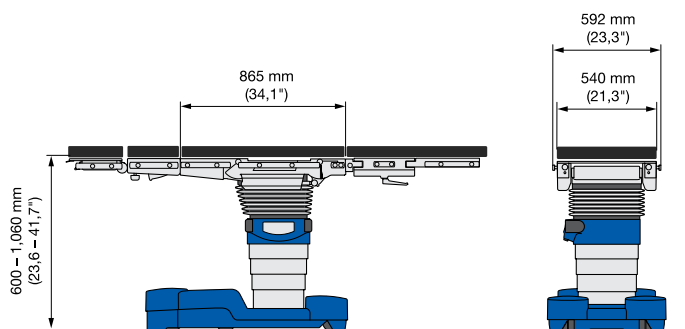
CE Complies with Medical Device Directive 93/42/EEC

Dimensions

Length without accessories 865 mm (34.1")

Width without side rails 540 mm (21.3")

Width across side rails 592 mm (23.3")



General construction features:

- Battery and mains power operation (see electrical specifications)
- Stable base construction with four double-swivel castors for easy movement and maneuvering (locking via the control units)
- The covers for the base and override control panel are made of glass fiber-reinforced composite plastic, resistant to impact, breakage and disinfectant agents, with neutral tone coloring and a scratch-resistant coating
- CrNi steel column casing
- Seat plate supporting arms made of cast aluminium with CrNi steel casing
- Back plate supporting arms, leg clamps, joint cover and side rails made of CrNi steel

Features of the operating table top:

- Operating table top: subdivided into six sections with head rest (optional), upper back plate (optional), lower back plate, seat plate, leg plates (optional)
- Entire table top without crossbars, to enable intraoperative fluoroscopy
- Guide rails for the insertion of X-ray cassettes from the head end
- SFC padding, 80 mm (3") thick

Electrical specifications:

- Special-design rechargeable batteries with a capacity for at least a week's use in the operating room
- Electronic monitoring of the charge level, with optical and acoustic display
- Batteries recharged from the mains power supply, 100-240 V AC (switchable), 50-60 Hz, via power supply cable
- Safety class II, type B; the enclosure leakage current meets the requirements of the patient leakage current for CF conditions as per EN 60601-1

Versions and table top padding:

1133.22X4	ALPHAMAXX, mobile operating table for general surgery in modular design, 460 mm (18") longitudinal shift, electrohydraulic, without control units, with 80 mm (3") SFC padding, radiolucent and electrically conductive, for use in areas subject to explosion hazard, AP-M-approved
1133.22X5	see above (1133.22X4), however, with electric autodrive

Required basic accessories:

1133.90XX	Corded hand control
1130.53XX	Dual joint head rest, with slope adjustment feature, with guide rails for X-ray cassettes and with SFC padding
1131.31XX	Extension plate
1133.53XX	Pair of leg plates, abduction using dual-joint, with SFC padding

Operation via:

1133.91X0	IR remote control with charging station
1009.81F0	Foot switch for the following functions: height, Trendelenburg/rev. Trendelenburg, back
1009.81F1	Foot switch for the following functions: height, Trendelenburg/rev. Trendelenburg, lateral tilt
1009.81F3	Foot switch for the following functions: height, Trendelenburg/rev. Trendelenburg, longitudinal shift

Optional accessories:

Head rests	
1130.81XX	Head rest adapter
1130.67XX	Head rest with gas strut assisted adjustment, SFC padding
Back plate	
1007.21XX	Back plate for shoulder surgery, long
1132.34XX	Back plate for shoulder surgery, short
1131.82XX	Joint adapter, pair, for 1133 or 1150 modules
1433.33XX	Carbon fiber back plate
1433.34XX	Carbon fiber back plate for shoulder surgery
Leg plates	
1133.58XX	Leg plate, single-section, SFC padding
1133.73XX	Pair of leg plates, 4-section, SFC padding
1133.67XX	Pair of leg plates, carbon fiber, SFC padding
1131.55XX	Seat plate extension, SFC padding
1132.65XX	Transfer board, load of max. 40 kg (88 lbs), without side rails
Other accessories	
1419.01HC	Extension device for operating table ALPHAMAXX
1133.80A0	X-ray top (7-piece)

MAQUET
GETINGE GROUP

MAQUET GmbH
Kehler Str. 31, 76437 Rastatt, Germany
Phone: +49 7222 932-0, Fax: +49 7222 932-571
info.sales@maquet.de

www.maquet.com

GETINGE GROUP

Getinge Group is a leading global provider of products and systems that contribute to quality enhancement and cost efficiency within healthcare and life sciences. We operate under the three brands of ArjoHuntleigh, Getinge and Maquet. ArjoHuntleigh focuses on patient mobility and wound management solutions. Getinge provides solutions for infection control within healthcare and contamination prevention within life sciences. Maquet specializes in solutions, therapies and products for surgical interventions, interventional cardiology and intensive care.