

SENSATION® and CS300™ IABP System
Smaller meets faster

MAQUET
GETINGE GROUP





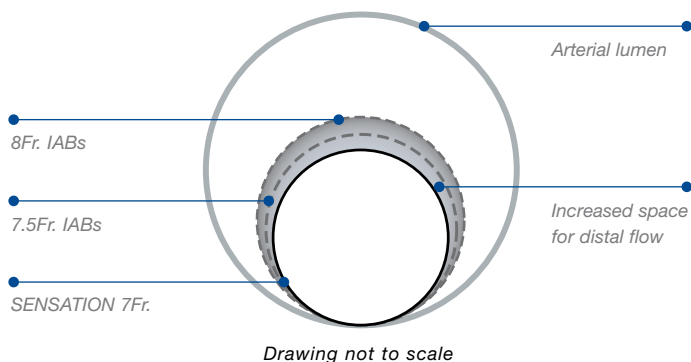




Smaller – The SENSATION 7Fr. Fiber-Optic IAB Catheter Faster – The CS300 with INTELLISENSE™

Optimal Therapy for all IABP Patients

Smaller is better – SENSATION 7Fr.: The smallest IAB catheter available today combined with innovative, fiber-optic technology that automatically calibrates *in vivo*. Smaller is better for the patient, potentially reducing vascular complications.



Faster – Balloon pump system CS300: The CS300 with INTELLISENSE combines fiber-optic speed with automatic *in vivo* calibration. The result is faster time to therapy, faster signal acquisition, and faster adaptation to rate and rhythm changes.



1998
SYSTEM 98



2000
SYSTEM 98XT



2003
CS100



2007
CS300

SENSATION 7Fr.

Smaller and faster is better for the patient and clinician



7Fr. size without sacrificing performance:

The 7Fr. catheter is made possible by fiber-optic technology, allowing more patients with smaller, compromised vessels to benefit from IABP therapy.

- Potential for smaller arteriotomy
- Potential for reduced limb ischemia

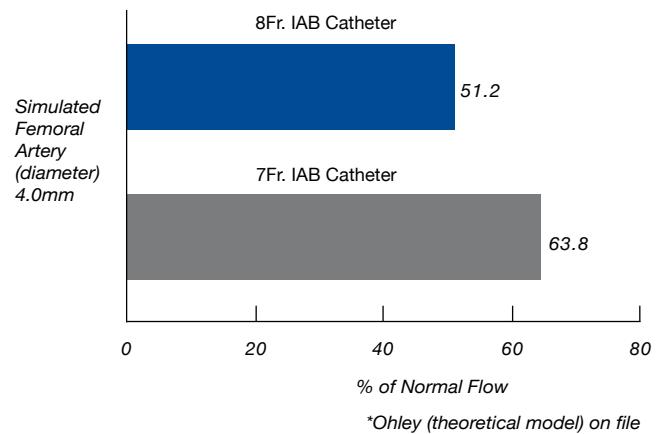
7Fr. catheter allows:

- 13% increase in the amount of distal flow vs. 8Fr.*
- 23% reduction on catheter cross-sectional area

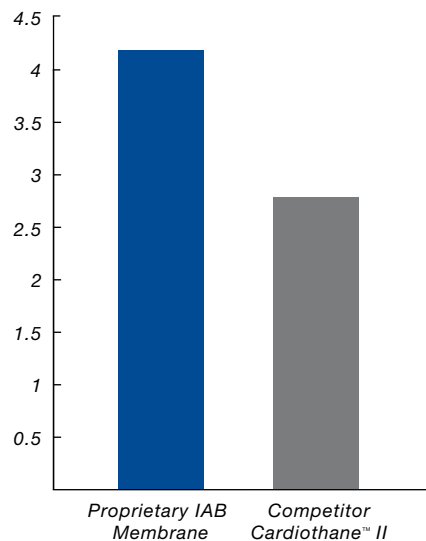
Proprietary IAB Membrane Membrane: A patented, blow-molded polyurethane IAB material created to stand up to your most difficult patients

- Abrasion resistance improved 43%
- Improved fatigue resistance
- Immediate inflation at start-up
- Reduced insertion force

Percentage of Flow Distal to Lab Insertion Site*
7Fr. and 8Fr. IAB Catheters



Abrasion Resistance¹
SENSATION 7Fr. Membrane 43% better than Cardiothane™ II



The fiber-optic sensor instantaneously transmits a precise pressure signal to the CS300:

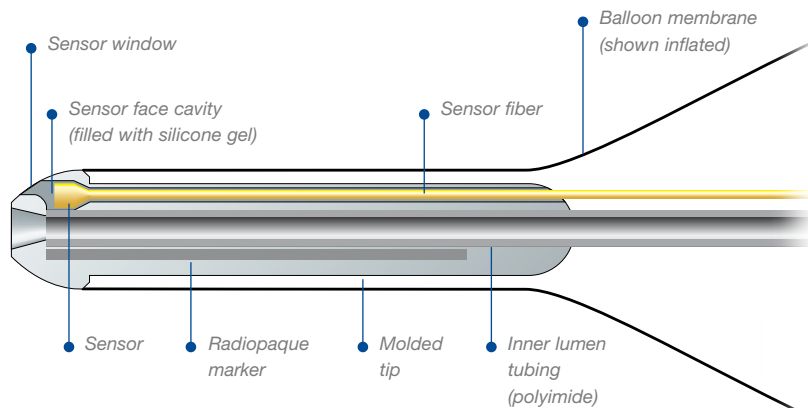
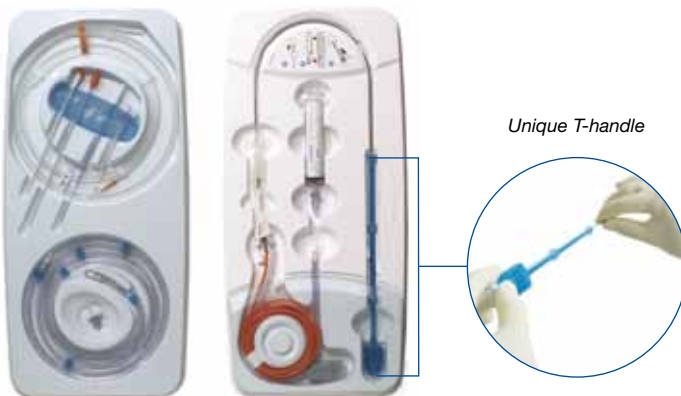
- Reduced signal transfer delay vs. fluid-filled column
- Maximizes helium gas shuttle lumen
- Speeds and standardizes pressure set-up (plug & play)
- Advanced tip design and reduced signal artifact
- Provides a clean, crisp arterial pressure waveform
- Arterial pressure waveform not affected by electrosurgical interference or patient movement and positioning



New IAB tray and insertion kit packaging: Innovative tray design for faster, easier set-up and improved membrane protection

The unique T-handle balloon retainer:

- Ensures smallest balloon membrane profile
- Protects balloon membrane during set-up



Graphic representation of catheter
Drawing not to scale



CS300 IABP – A Smart and Flexible Pump

Faster is better for the patient and clinician

Faster time to therapy: CS300 has true one-button start-up. Simply push one button to initiate therapy.

- Automatically calibrates the fiber-optic pressure sensor in the patient and recalibrates every 2 hours or sooner should patient or environmental conditions change
- Automatically evaluates and selects the best lead and trigger source
- Automatically sets optimal timing
- Automatically adjusts to changes in patient conditions without clinician intervention

Faster inflation and deflation speed: The combination of a fast balloon pump and a superior catheter result in a fast inflate/deflate time. Speed matters! For the patient, the benefit is an improvement in arrhythmia tracking and response.

A smart timing algorithm matters: The CS300 with INTELLISENSE is designed to emulate an experienced user, allowing the clinician more time to focus on the patient. The CS300 regularly examines key landmarks on the ECG and arterial pressure waveform to determine optimal timing. It then quickly adapts to rate or rhythm changes instead of imposing fixed timing rules.

R-Trac® is a patented surveillance algorithm that quickly identifies unpredictable rhythms such as A-Fib. Once identified, R-Trac adjusts timing on a beat-to-beat basis in order to optimize augmentation and support during diastole.

Flexibility matters. The CS300 has the ability to adjust all timing parameters to patient's changing needs. The CS300 is the only pump that can be used with any of the catheters mentioned below:

- The SENSATION 7Fr. fiber-optic IAB catheter
- Conventional fluid-filled IAB catheters
- Pediatric IAB catheters

Smart and flexible to meet the needs of your patients.



One-button start-up

SENSATION 7Fr. and CS300 IABP Unique Features

Fiber-optic pressure signal transmission to a patient monitor: An electrically isolated, low-level pressure output from the CS300 enables clinicians to send the fiber-optic arterial pressure waveform directly to a patient monitor by simply attaching an appropriate cable.

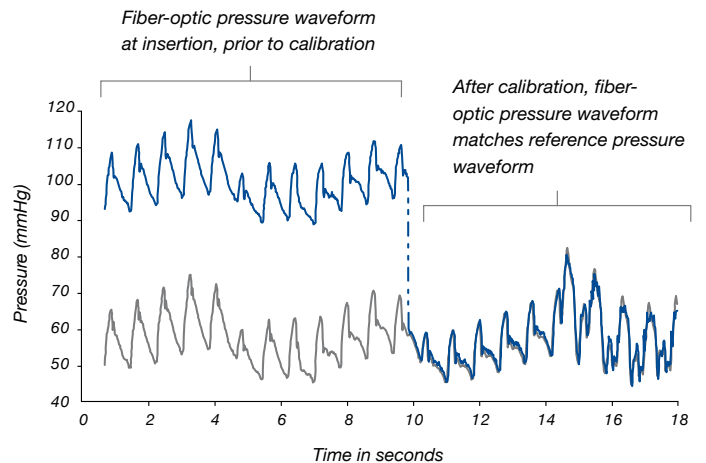
Unique automatic *in vivo* calibration: Maquet has the ONLY fiber-optic IABP and catheter system that automatically calibrates in the patient after insertion and automatically recalibrates *in vivo* every 2 hours or sooner should patient or environmental conditions change.

The result: Faster time to therapy, ongoing consistency and accuracy of the arterial blood pressure waveform, and improved ease of use.





Low-level pressure output allows direct connection to a patient monitor

In vivo Calibration

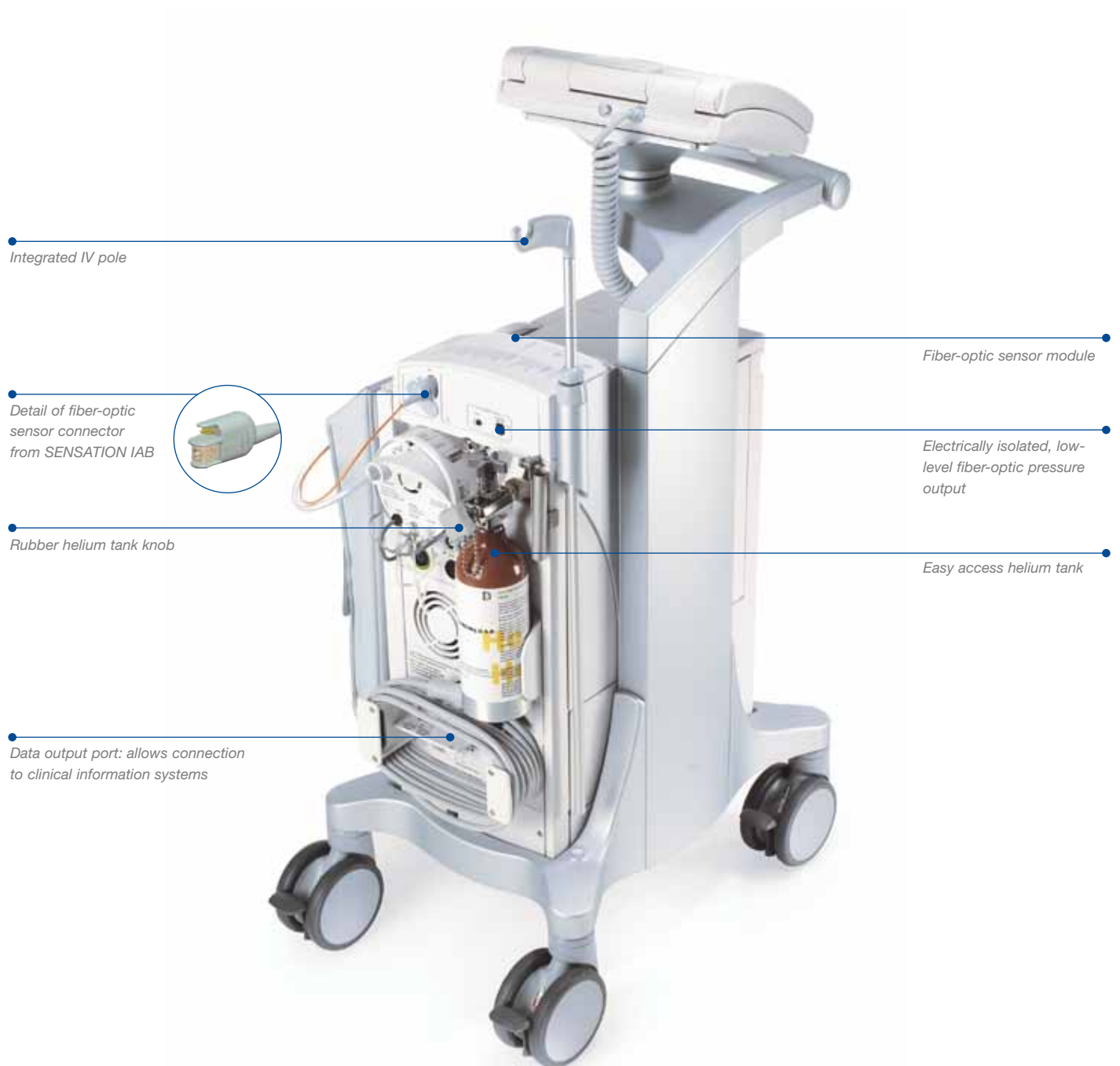


The *in vivo* calibration gives you the confidence that the fiber-optic pressure waveform is consistently accurate¹

 Fiber-optic
 Millar

Smaller, faster, smarter, easier

Optimal therapy for all IABP patients



Customized Solutions

Extensive portfolio of clinical support services:

- Real-time remote access via WIN-IABP modem connection
- A variety of clinical education programs designed to maximize staff time, increase confidence and improve productivity
- Accredited programs for physicians and nurses
- Extensive library of educational materials to meet the needs of providers as well as patients

Technical Services protect investment:

- Emergency Service available
- Preventative Maintenance Programs
- Telephone Technical Support
- Extended Warranty & Service Agreements
- Loaner & Rental IABP Programs
- Maquet Field Service Representatives provide rapid response for all your IABP service requests



MAQUET
GETINGE GROUP

Maquet
1300 MacArthur Blvd., Mahwah, NJ 07430, USA
Phone: +1 201 995 8700 or 1 800 777 4222

Maquet Medical Systems USA
45 Barbour Pond Drive, Wayne, NJ 07470, USA
Phone: 1 888 880 2874

www.maquet.com
<http://ca.maquet.com>

GETINGE GROUP

Getinge Group is a leading global provider of products and systems that contribute to quality enhancement and cost efficiency within healthcare and life sciences. We operate under the three brands of ArjoHuntleigh, Getinge and Maquet. ArjoHuntleigh focuses on patient mobility and wound management solutions. Getinge provides solutions for infection control within healthcare and contamination prevention within life sciences. Maquet specializes in solutions, therapies and products for surgical interventions, interventional cardiology and intensive care.